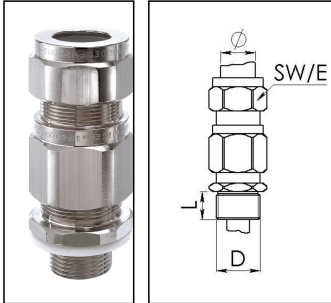


WEID.E1XF-25b / M25

Ex d cable gland, brass nickel-plated, M25



Products may differ in size, colour and appearance to those shown. If you require further information or customisation, please contact us directly.



Material cable gland	Brass nickel-plated
Material sealing gasket	Silicone
Temp. range min	-60 °C
Temp. range max	110 °C
Protection class	IP66 / IP67
Type of protection	Ex db, Ex tb, Ex eb
Ex-Certificate	IECEx, ATEX
Thread type	M
Ø Connection thread D	25
Lead	1,5
Length screw-in thread L	15 mm
Ø cable diameter min	21 mm
Ø cable diameter max	26 mm
Ø cable below cable shield max	17 mm - 19,5 mm
Key width SW	36 mm
Collar diameter (E)	39 mm
Total length TL	94 mm
Surface	Nickel-plated
Order no. nickel-plated	50065578
Type	WEID.E1XF-25b / M25
Packing unit	1
ETIM-Classification	EC000441

03.08.2021

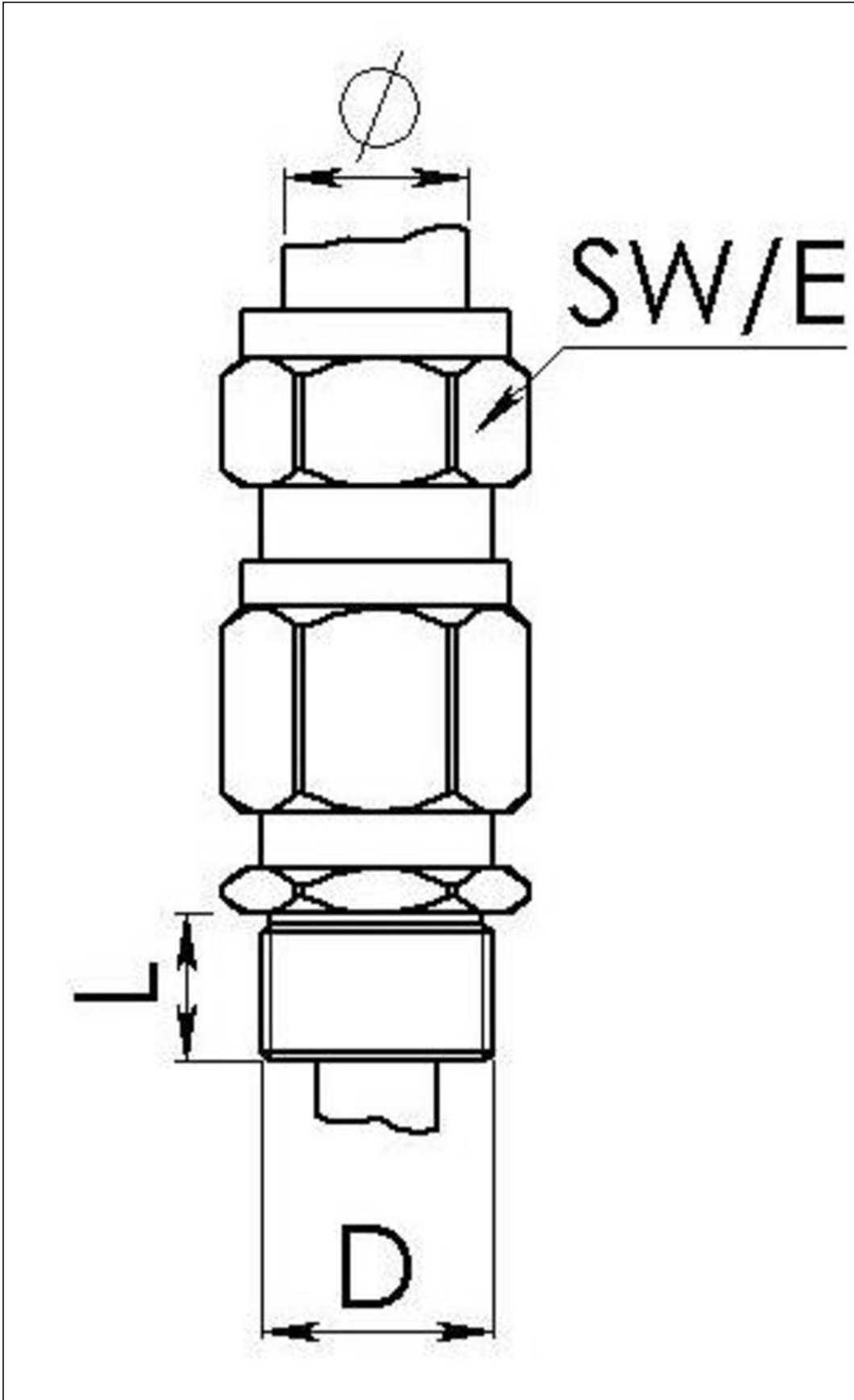
Your Contact:

WISKA Hoppmann GmbH

Kisdorfer Weg 28 · 24568 Kaltenkirchen · Germany

☎ +49-4191-508-0 · 📠 +49-4191-508-209

contact@wiska.de · www.wiska.com



Your Contact:
WISKA Hoppmann GmbH
Kisdorfer Weg 28 · 24568 Kaltenkirchen · Germany
☎ +49-4191-508-0 · 📠 +49-4191-508-209
contact@wiska.de · www.wiska.com